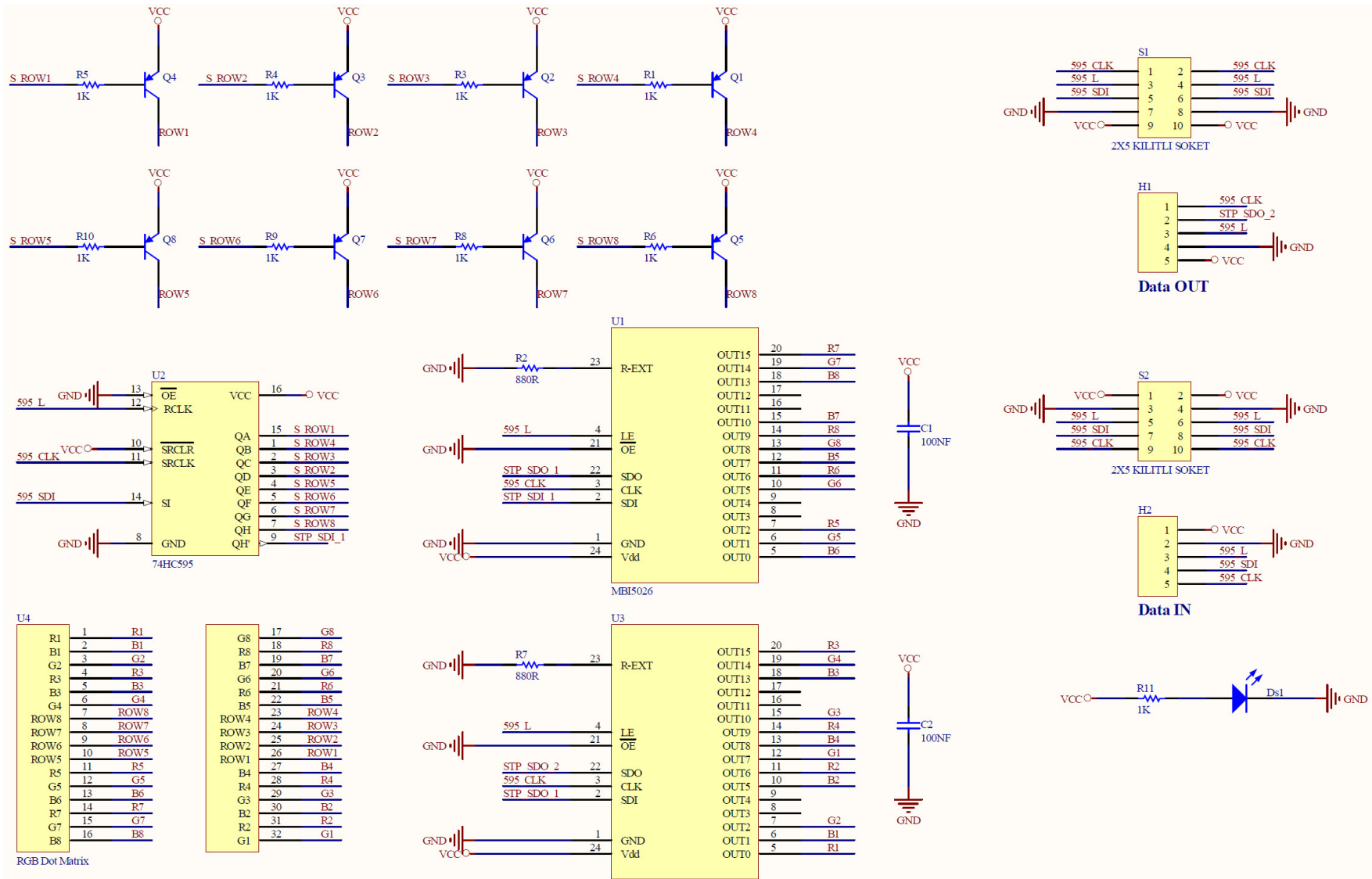
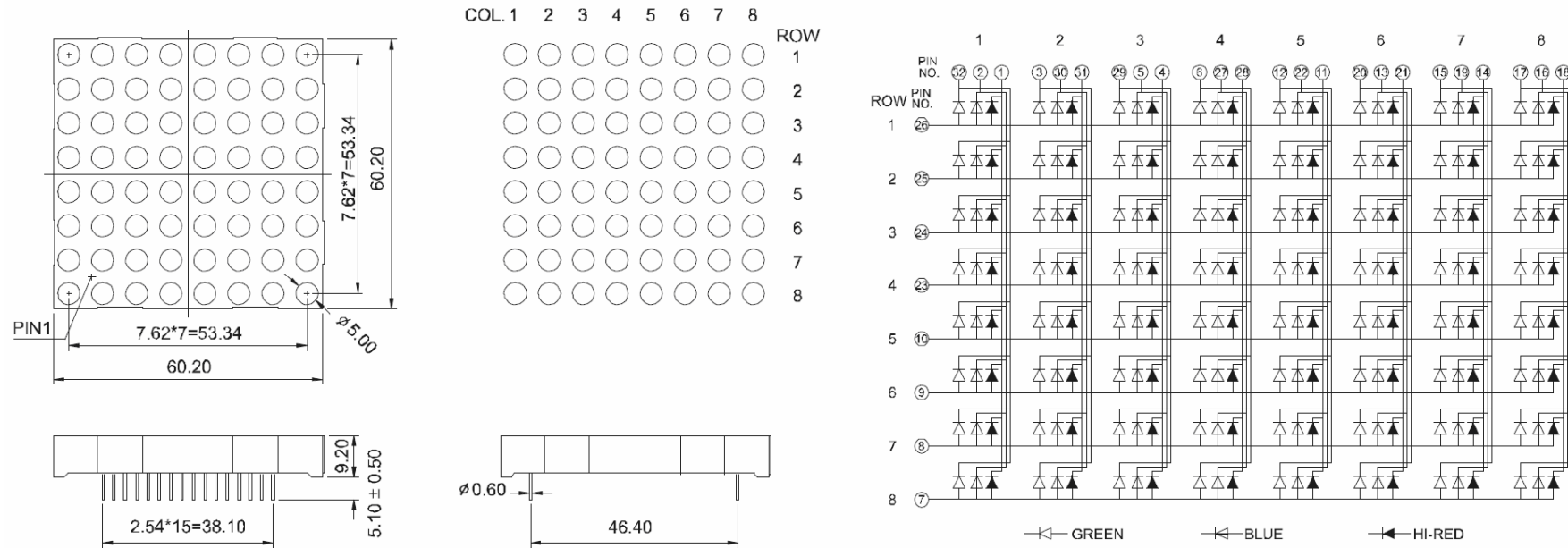


PCB Bottomlayer





8x8 RGB Dot Matrix Specifications